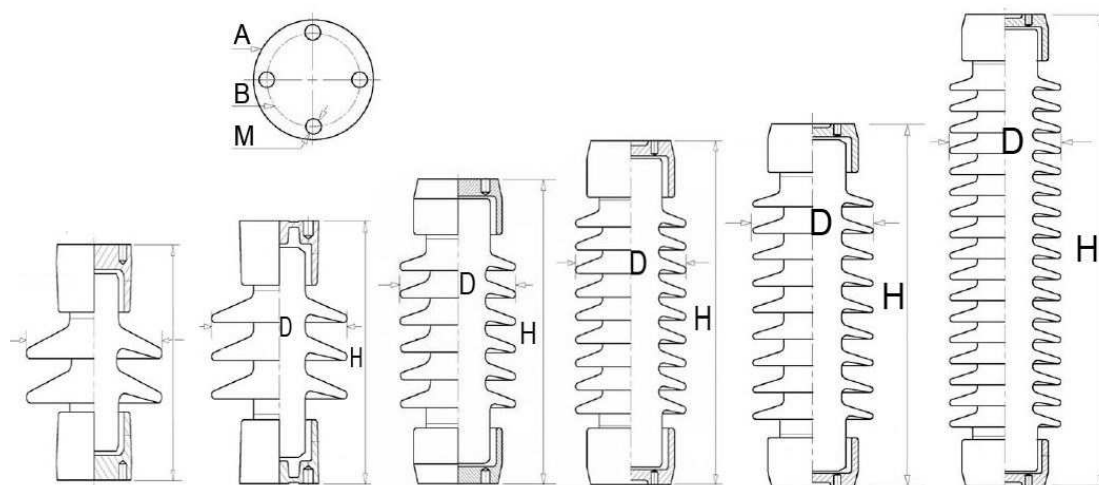




Porcelain Station Post Insulator (ANSI Standard)

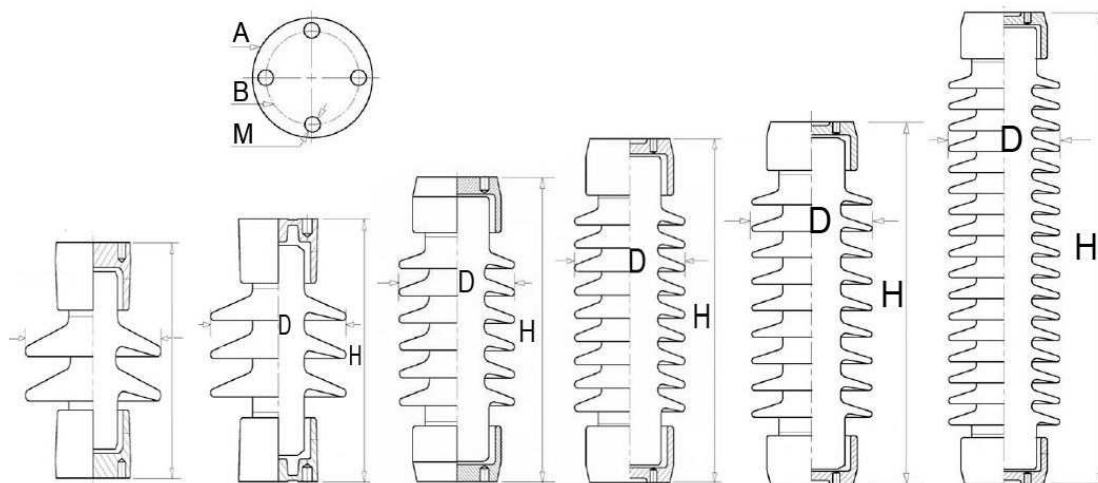


ANSI Class		TR-202	TR-205	TR-208	TR-210	TR-214	TR-216
Catalogue No.		WTR202	WTR205	WTR208	WTR210	WTR214	WTR216
Rated Voltage; kV		7.5	15	23	35	46	69
Section Height; H (mm)		190	254	356	457	559	762
Diameter of the Shed; D (mm)		165	165	165	165	186	196
Outer Circle Diameter; A (mm)		108	108	108	108	108	108
Inner Circle Diameter; B (mm)		76	76	76	76	76	76
Taped Hole Diameter; M (mm)		M12	M12	M12	M12	M12	M12
Leakage Distance (mm)		267	394	610	940	1092	1829
Cantilever Strength; kN		8.9	8.9	8.9	8.9	8.9	6.7
Tensile Strength; kN		31.1	38	44.5	53	62	71
Torsional Strength; N.m		678	791	904	1130	1356	1695
Compression Strength; kN		44.5	44.5	44.5	66.7	66.7	111
Low Frequency Flashover Voltage	Dry; kV	75	85	110	145	170	235
	Wet; kV	48	55	75	100	125	180
Critical Impulse Flashover Voltage	Pos; kV	105	125	170	225	280	390
	Neg; kV	170	200	250	290	340	475
Withstand Voltage (kV)	Low Freq. Wet	45	50	70	95	120	175
	Impulse.	95	110	150	200	250	350
Radio Influence Voltage	Test Voltage Ground kV	5	10	15	22	30	44
	Max. RIV at 1000kHz us	50	50	100	100	200	200
Weight		6.7	9.2	11.5	15.5	21	32

Brown, Grey and Semi-conducting glaze is available upon request.



Porcelain Station Post Insulator (ANSI Standard, High Strength)

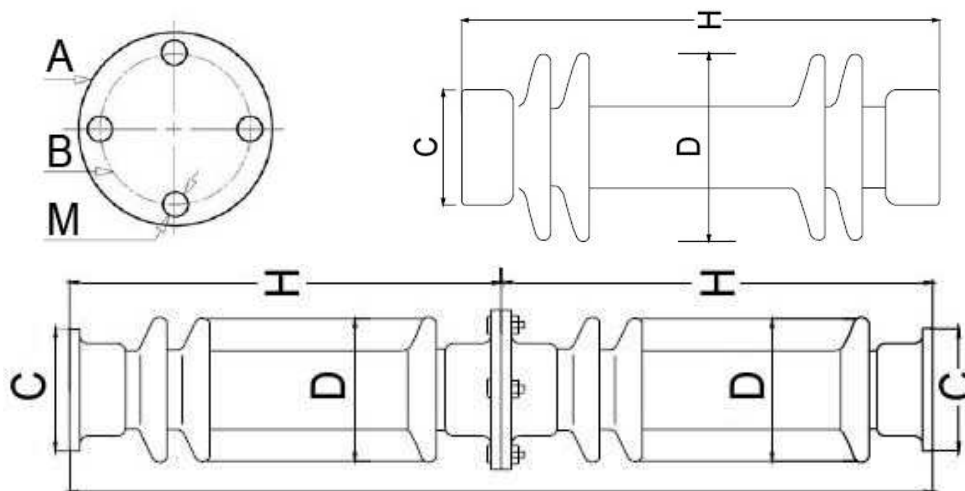


ANSI Class		TR-222	TR-225	TR-227	TR-231	TR-267	TR-278
Catalogue No.		WTR222	WTR225	WTR227	WTR231	WTR267	WTR278
Rated Voltage; kV		7.5	15	23	35	46	69
Section Height; H (mm)		254	305	381	508	610	762
Diameter of the Shed; D (mm)		151	203	229	229	229	248
Outer Circle Diameter; A (mm)		159	159	159	159	159	159
Inner Circle Diameter; B (mm)		127	127	127	127	127	127
Taped Hole Diameter; M (mm)		M16	M16	M16	M16	M16	M16
Leakage Distance (mm)		267	394	610	940	1092	4520
Cantilever Strength; kN		17.8	17.8	17.8	17.8	17.8	17.8
Tensile Strength; kN		66.7	89	89	111	111	111
Torsional Strength; N.m		1356	1582	1808	2260	2712	3390
Compression Strength; kN		89	89	89	133	133	267
Low Frequency Flashover Voltage	Dry; kV	75	85	110	145	170	235
	Wet; kV	48	55	75	100	125	180
Critical Impulse Flashover Voltage	Pos; kV	105	125	170	225	280	390
	Neg; kV	170	200	250	290	340	475
Withstand Voltage (kV)	Low Freq. Wet	45	50	70	95	120	175
	Impulse.	95	110	150	200	250	350
Radio Influence Voltage	Test Voltage Ground kV	5	10	15	22	30	44
	Max. RIV at 1000kHz us	50	50	100	100	200	200
Weight		9.8	19	25.5	33.4	37.8	48.9

Brown, Grey and Semi-conducting glaze is available upon request.



Porcelain Station Post Insulator (ANSI Standard)

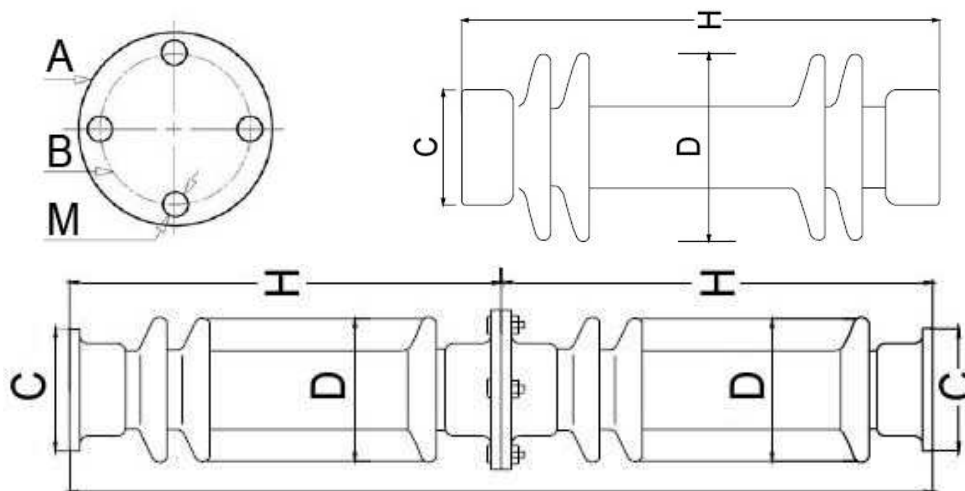


ANSI Class		TR-286	TR-288	TR-291	TR-304	TR-312
Catalogue No.		WTR286	WTR288	WTR291	WTR34	WTR312
Rated Voltage; kV		115	138	165	230	265
Section Height; H (mm)		1143	1372	1575	2032	2336
Diameter of the Shed; D (mm)		224	224	224	241	251
Outer Circle Diameter; A (mm)		159	159	159	159	159
Inner Circle Diameter; B (mm)		127	127	127	127	127
Taped Hole Diameter; M (mm)		M16	M16	M16	M16	M16
Leakage Distance (mm)		2515	2946	3353	4191	5029
Cantilever Strength; kN		7.56	6.23	5.3	4.2	3.6
Tensile Strength; kN		89	89	89	89	89
Torsional Strength; N.m		4520	4520	4520	6780	4500
Compression Strength; kN		267	267	267	267	267
Critical Impulse Flashover Voltage Positive; kV		610	710	810	1010	1210
Withstand Voltage (kV)	Low Freq. Wet	230	275	315	385	455
	Impulse. (BIL)	550	650	750	900	1050
Radio Influence Voltage	Test Voltage Ground kV	73	88	103	146	146
	Max. RIV at 1000kHz us	200	200	500	500	500
Weight		63.2	71.5	75.6	137.9	118

Brown, Grey and Semi-conducting glaze is available upon request.



Porcelain Station Post Insulator (ANSI Standard, High Strength)

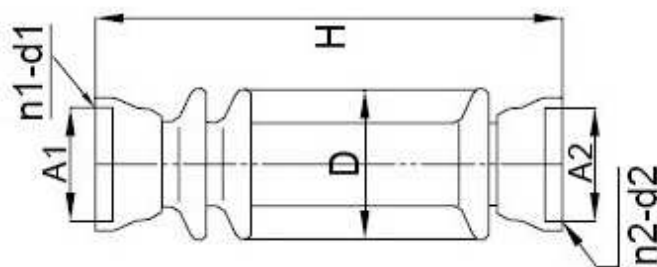


ANSI Class		TR-287	TR-289	TR-295	TR-308	TR-316
Catalogue No.		WTR287	WTR289	WTR295	WTR308	WTR316
Rated Voltage; kV		115	138	165	230	265
Section Height; H (mm)		1143	1372	1575	2032	2336
Diameter of the Shed; D (mm)		224	254	254	257	267
Outer Circle Diameter; A (mm)		159	159	159	159	159
Inner Circle Diameter; B (mm)		127	127	127	127	127
Taped Hole Diameter; M (mm)		M16	M16	M16	M16	M16
Leakage Distance (mm)		2515	2946	3353	4191	5029
Cantilever Strength; kN		11.6	9.8	8.2	6.4	5.6
Tensile Strength; kN		112	112	112	112	112
Torsional Strength; N.m		10170	15029	10170	15029	10170
Compression Strength; kN		334	334	334	334	334
Critical Impulse Flashover Voltage Positive; kV		610	710	810	1010	1210
Withstand Voltage (kV)	Low Freq. Wet	230	275	315	385	455
	Impulse. (BIL)	550	650	750	900	1050
Radio Influence Voltage	Test Voltage Ground kV	73	88	103	146	146
	Max. RIV at 1000kHz us	200	200	500	500	500
Weight		73.4	100	104.5	166.8	155.5

Brown, Grey and Semi-conducting glaze is available upon request.



Porcelain Station Post Insulator (IEC Standard)

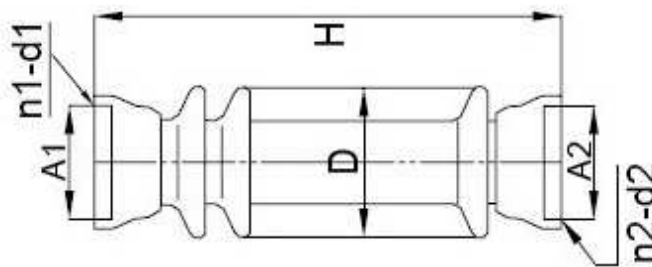


IEC Class	Rated Voltage (kV)	Cantilever Strength (kN)	Torsion Strength (kN)	Impulse Withstand Voltage(kV)	Power Frequency Withstand Voltage		Weight (kg)
					Dry; kV	Wet; kV	
C4-75	10	4	-	75	40	28	6.0
C10-105W	20	10	-	150	75	50	18
C8-150	20	8	-	150	75	50	14.5
C16-150W	20	16	-	150	75	50	20
C30-150W	20	30	-	150	75	50	32
C30-170	20	30	-	170	100	70	32.5
C6-170	35	6	3	170	100	70	17
C8-170	35	8	2	170	100	70	16
C4-170	35	4	1.2	170	100	70	12
Main Dimensions(mm)							
Section Height	Max. Diameter (mm)	Leakage Distance (mm)	Dry Arc Distance (mm)	Top Flange n1-d1-A1	Bottom Flange n2-d2-A2		
220	140	230	125	2-M8-36	4-M10-Φ55		
210	140	590	123	2-M8-36	2-Φ12-130		
350	180	400	224	4-M12-Φ140	4-Φ18-210		
350	165	550	217	2-M12-76	4-Φ14-180		
350	190	590	218	4-M12-Φ140	4-Φ18-210		
450	205	590	222	4-M12-Φ140	4-Φ18-250		
450	205	650	272	4-M12-Φ140	4-Φ18-225		
420	165	625	308	4-M12-Φ140	4-M12-140		
420	165	650	306	4-M12-Φ140	4-Φ14-210		

Brown, Grey and Semi-conducting glaze is available upon request.



Porcelain Station Post Insulator (IEC Standard)

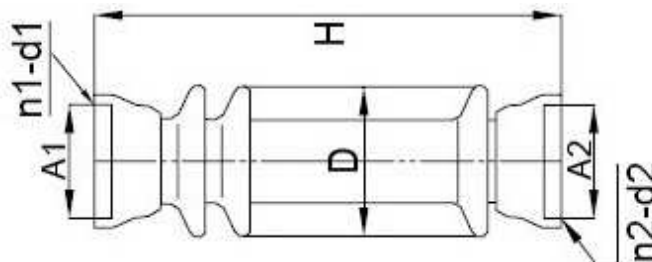


IEC Class	Rated Voltage (kV)	Cantilever Strength (kN)	Torsion Strength (kN)	Impulse Withstand Voltage(kV)	Power Frequency Withstand Voltage		Weight (kg)
					Dry; kV	Wet; kV	
C4-170W	35	4	1.2	170	100	70	13
C4-250W	35	4	1.8	250	135	90	27
C6-250	66	6	2	250	135	90	38
C4-325	66	4	2	325	175	140	29
C12.5-325	66	12.5	2	325	175	140	61
C4-325W	66	4	4	325	175	140	50
C8-325W	6	8	4	325	175	140	55
C4-170W	35	4	4	170	100	70	14
C10-25W	35	10	4	250	135	90	31.5
Main Dimensions(mm)							
Section Height	Max. Diameter (mm)	Leakage Distance (mm)	Dry Arc Distance (mm)	Top Flange n1-d1-A1	Bottom Flange n2-d2-A2		
445	150	875	345	4-Φ14-Φ140	4-Φ14-Φ140		
560	235	1260	405	4-M16-Φ127	4-Φ14-Φ180		
710	180	1160	565	4-M12-Φ140	4-Φ18-Φ225		
760	170	1105	625	4-M12-Φ140	4-Φ14-Φ180		
840	230	1105	628	4-M18-Φ210	4-Φ18-Φ250		
850	235	2010	705	4-M12-Φ140	4-Φ18-Φ225		
850	235	1310	705	4-M12-Φ140	4-Φ18-Φ225		
445	150	875	350	4-M12-Φ140	4-M12-Φ140		
560	245	1260	405	4-M16-Φ127	4-Φ14-Φ180		

Brown, Grey and Semi-conducting glaze is available upon request.



Porcelain Station Post Insulator (IEC Standard)

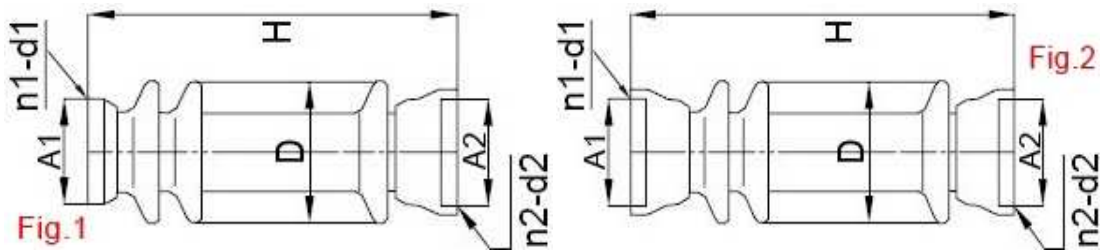


IEC Class	Rated Voltage (kV)	Cantilever Strength (kN)	Torsion Strength (kN)	Impulse Withstand Voltage(kV)	Power Frequency Withstand Voltage		Weight (kg)
					Dry; kV	Wet; kV	
C4-550	110	4	4	550	300	230	52
C8-550	110	8	4	550	300	230	87
C8-550W	110	8	4	550	300	230	85
C4-550W	110	4	4	550	300	230	70
C6-450	110	6	6	450	262	185	47
C6-550	110	6	6	550	300	230	76
C6-550W	110	6	10	550	280	230	77
C10-45W	110	10	10	450	245	185	87
C20-45W	110	20	10	450	245	185	102
C4-450	110	4	4	450	245	185	44
C4-650W	110	4	4	650	375	275	72
Main Dimensions(mm)							
Section Height	Max. Diameter (mm)	Leakage Distance (mm)	Dry Arc Distance (mm)	Top Flange n1-d1-A1	Bottom Flange n2-d2-A2		
1200	170	2016	1055	4-M12-Φ140	4-Φ18-Φ225		
1200	250	2830	1008	4-Φ18-Φ225	4-Φ18-Φ250		
1200	250	2830	1008	4-Φ18-Φ250	4-Φ18-Φ225		
1200	245	3025	1050	4-Φ14-Φ190	4-Φ18-Φ225		
1060	195	2016	917	4-M12-Φ140	8-Φ18-Φ225		
1200	245	3050	1038	4-M12-Φ140	4-Φ18-Φ225		
1200	250	3150	1023	4-M12-Φ140	4-Φ18-Φ225		
1150	250	3150	978	4-Φ18-Φ225	8-Φ18-Φ254		
1150	260	3200	953	8-Φ18-Φ254	8-Φ18-Φ254		
1060	195	2016	917	4-M12-Φ140	4-Φ18-Φ225		
1400	255	3906	1240	4-M12-Φ140	4-Φ18-Φ225		

Brown, Grey and Semi-conducting glaze is available upon request.



Porcelain Station Post Insulator (IEC Standard)



IEC Class	Rated Voltage (kV)	Cantilever Strength (kN)	Torsion Strength (kN)	Impulse Withstand Voltage(kV)	Power Frequency Withstand Voltage		Weight (kg)
					Dry; kV	Wet; kV	
C6-550-III	126	6	4	550	300	230	83
C8-550-III	126	8	4	550	300	230	90
C10-550-III	126	10	4	550	300	230	93
C12.5-550-III	126	12.5	6	550	300	230	104
C16-550-III	126	16	10	550	300	230	110
C10-550-IV	126	10	6	550	300	275	108
C8-650-III	145	8	6	650	375	275	131
C10-650-III	145	10	10	650	375	275	160
C12.5-650-III	145	12.5	10	650	275	230	167
C40-650-IV	145	40	25	650	375	275	212

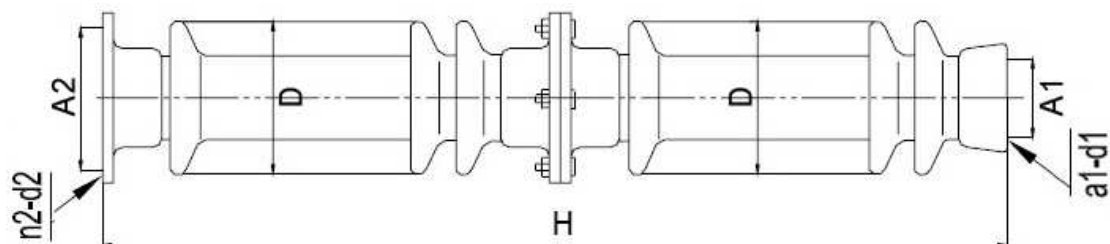
Main Dimensions(mm)

Section Height H (mm)	Max. Diameter D (mm)	Leakage Distance (mm)	Figure No.	Top Flange n1-d1-A1	Bottom Flange n2-d2-A2
1220	255	3150	1	4-M16-Φ127	4-Φ18-Φ200
1220	260	3150	1	4-M16-Φ127	4-Φ18-Φ200
1220	270	3150	1	4-M16-Φ127	4-Φ18-Φ225
1220	280	3150	1	4-M16-Φ127	8-Φ18-Φ254
1220	290	3150	1	4-M16-Φ127	8-Φ18-Φ254
1220	300	4500	1	4-M16-Φ127	4-Φ18-Φ225
1500	285	4612	2	4-Φ18-Φ225	8-Φ18-Φ254
1500	305	4612	2	4-Φ18-Φ225	8-Φ18-Φ254
1500	305	4612	2	4-Φ18-Φ225	8-Φ18-Φ254
1500	345	5200	2	8-Φ18-Φ275	8-Φ18-Φ275

Brown, Grey and Semi-conducting glaze is available upon request.



Porcelain Station Post Insulator (IEC Standard)

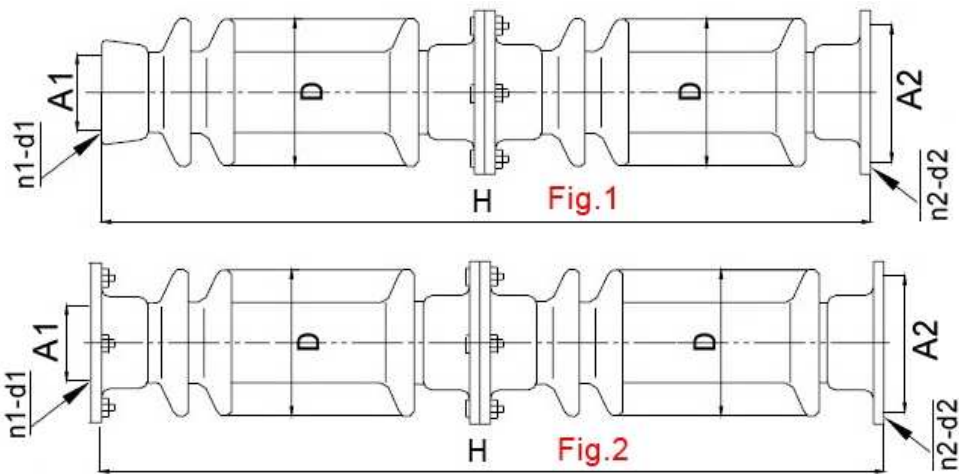


IEC Class	Rated Voltage (kV)	Cantilever Strength (kN)	Torsion Strength (kN)	Impulse Withstand Voltage (kV)	Power Frequency Withstand Voltage		Weight (kg)
					Dry; kV	Wet; kV	
C8-850	230	6	6	1050	525	460	164
C10-850	230	10	10	1050	525	460	190
C8-950W	230	8	8	1175	525	510	227
C10-950W	230	10	8	1175	525	510	253
C16-850W	230	16	10	1050	525	460	224
C12.5-850W	230	12.5	10	1050	525	460	224
C10-850W	230	10	10	1050	525	460	202
C8-850W	230	8	10	1050	525	460	209
C4-750W	230	4	4	950	490	395	114
C4-850W	230	4	4	1050	525	460	116
Main Dimensions (mm)							
Section Height	Max. Diameter (mm)	Leakage Distance (mm)	Dry Arc Distance (mm)	Top Flange n1-d1-A1	Bottom Flange n2-d2-A2		
2350	260	6300	2001	4-M12-Φ140	8-Φ18-Φ254		
2300	285	6300	1931	4-Φ18-Φ225	8-Φ18-Φ254		
2650	285	7812	2279	4-Φ18-Φ225	8-Φ18-Φ254		
2650	310	7812	2251	4-Φ18-Φ225	8-Φ18-Φ300		
2300	310	6300	1878	8-Φ18-Φ254	8-Φ18-Φ300		
2300	310	6300	1888	4-Φ18-Φ225	8-Φ18-Φ275		
2400	290	6300	2019	4-Φ18-Φ225	8-Φ18-Φ254		
2300	295	6300	1913	4-Φ18-Φ225	8-Φ18-Φ254		
2120	230	3776	1977	4-M12-Φ140	4-Φ18-Φ250		
2300	245	5500	1973	4-M12-Φ140	8-Φ18-Φ270		

Brown, Grey and Semi-conducting glaze is available upon request.



Porcelain Station Post Insulator (IEC Standard)

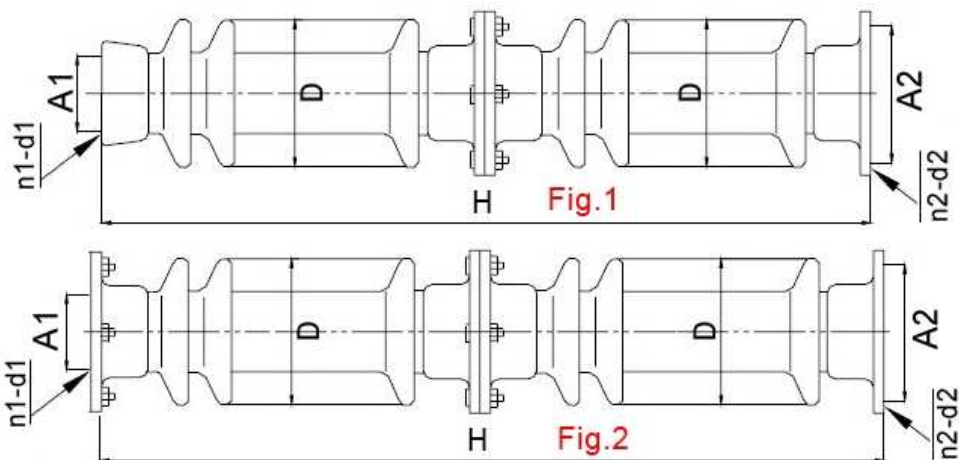


IEC Class	Rated Voltage (kV)	Cantilever Strength (kN)	Torsion Strength (kN)	Impulse Withstand Voltage(kV)	Power Frequency Withstand Voltage		Weight (kg)
					Dry; kV	Wet; kV	
C6-1050-III	252	6	3	1050	525	460	175
C8-1050-III	252	8	4	1050	525	460	192
C10-1050-III	252	10	6	1050	525	460	225
C12.5-1050C	252	12.5	10	1050	525	460	252
C16-1050-III	252	16	10	1050	525	460	269
C10-1050-III	252	10	4	950	490	395	207
C8-1050-III	252	8	6	1050	525	460	210
C12.5-1050D	252	12.5	10	1050	525	460	248
Main Dimensions(mm)							
Section Height H (mm)	Max. Diameter D (mm)	Leakage Distance (mm)	Figure No.	Top Flange n1-d1-A1	Bottom Flange n2-d2-A2		
2300	27	6300	1	4-M16-Φ127	4-Φ18-Φ225		
2300	280	6300	1	4-M16-Φ127	8-Φ18-Φ254		
2300	295	6300	1	4-M16-Φ127	8-Φ18-Φ275		
2300	315	6300	1	4-M16-Φ127	8-Φ18-Φ275		
2300	330	6300	1	4-M16-Φ127	8-Φ18-Φ300		
2300	275	6000	1	4-M16-Φ127	8-Φ18-Φ275		
2400	285	6300	1	4-M16-Φ127	8-Φ18-Φ254		
2300	315	6300	2	8-Φ18-Φ254	8-Φ18-Φ254		

Brown, Grey and Semi-conducting glaze is available upon request.



Porcelain Station Post Insulator (IEC Standard)



IEC Class	Rated Voltage (kV)	Cantilever Strength (kN)	Torsion Strength (kN)	Impulse Withstand Voltage(kV)	Power Frequency Withstand Voltage		Weight (kg)
					Dry; kV	Wet; kV	
C10-1425-II	363	10	6	1425	695	630	300
C6-1550-III	363	8	4	1550	740	680	310
C10-1550-III	363	10	6	1550	740	680	353
C12.5-1550C	363	12.5	6	1550	740	680	372
C6-1550-IV	363	6	4	1550	740	680	300
C8-1550-IV	363	8	4	1550	740	680	310
C8-1675-IV	363	8	6	1675	790	730	387
C16-1550-IV	363	16	10	1675	790	730	517
Main Dimensions(mm)							
Section Height H (mm)	Max. Diameter D (mm)	Leakage Distance (mm)	Figure No.	Top Flange n1-d1-A1	Bottom Flange n2-d2-A2		
3150	290	8400	1	4-M16-Φ127	8-Φ18-Φ300		
3350	315	9080	1	4-M16-Φ127	8-Φ18-Φ254		
3650	295	9080	1	4-M16-Φ127	8-Φ18-Φ250		
3650	285	9080	2	8-Φ18-Φ275	8-Φ18-Φ300		
3350	315	11260	1	4-M16-Φ127	8-Φ18-Φ254		
3350	325	11260	1	4-M16-Φ127	8-Φ18-Φ300		
3600	310	11260	2	4-M18-Φ225	8-Φ18-Φ250		
3600	350	11260	2	8-Φ18-Φ275	8-Φ18-Φ325		

Brown, Grey and Semi-conducting glaze is available upon request.



WINNING ELECTRICAL CO., LIMITED

—SOLUTION, QUALITY, COOPERATION



E-mail: sales@winning-electrical.com

Website: www.winning-electrical.com

Tel/Fax: 86-575-82002752

Mobile: 86-133 2575 6220